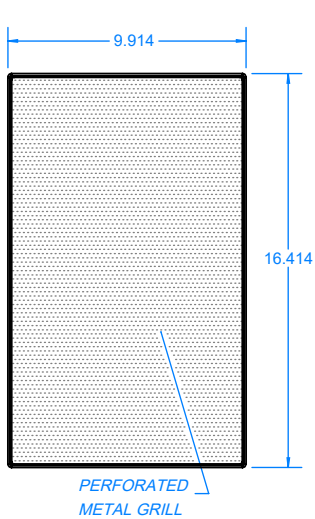
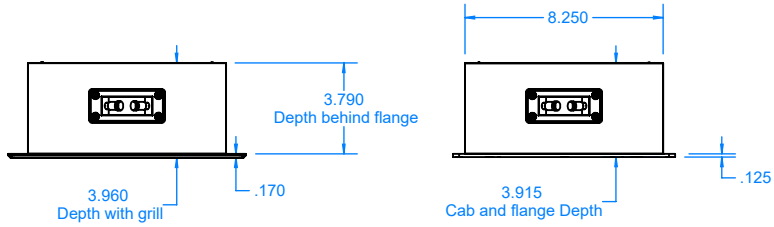
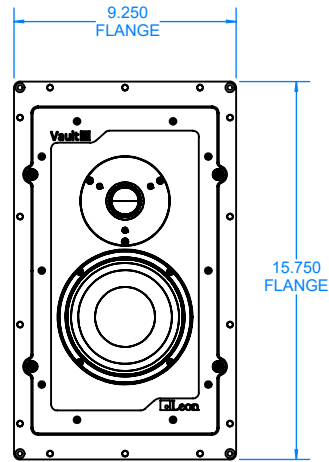


v55UX & v500UX

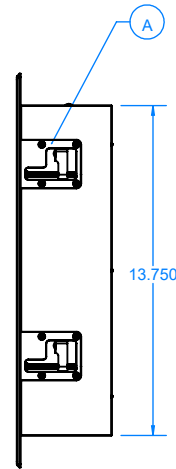
Vault Series



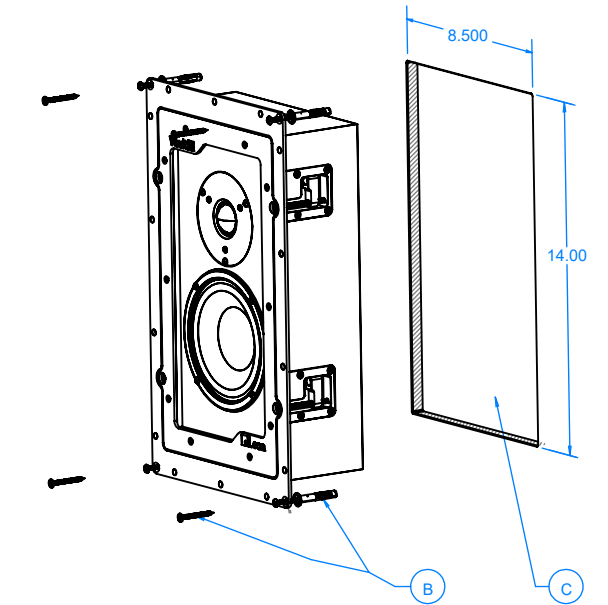
Front and Top views with grill



Front and Top views with grill removed



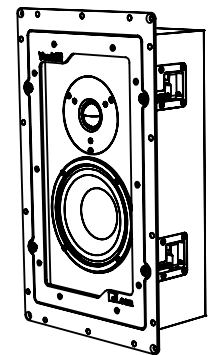
Side view



Perspective view with wall cutout and screw mount options

FEATURE AND CONFIGURATION NOTES:

- A. "Dog-leg" mounting system
- B. Alternate mounting option using screws or drywall inserts into stud or drywall
- C. Recommended wall cutout: 14.00" x 8.50"



715 W. Ellsworth Rd. Ann Arbor, MI 48108
1-888-213-5015 | www.leonspeakers.com

This information is the confidential, proprietary property of Leon Speakers, Inc. Unauthorized use is prohibited. Features, specifications and appearance are subject to change without notice

A

Description	Date	Scale
v55UX & v500UX	3-24-18	1:8