



---

# TTS-Hz/Pr/Ds

---

INSTALLATION GUIDE

Picture perfect sound.®

# Questions?

---

Call Customer Service

**1.888.213.5015**

Mon-Fri 8am-6pm EST

---

Visit us online for product support, guides and videos

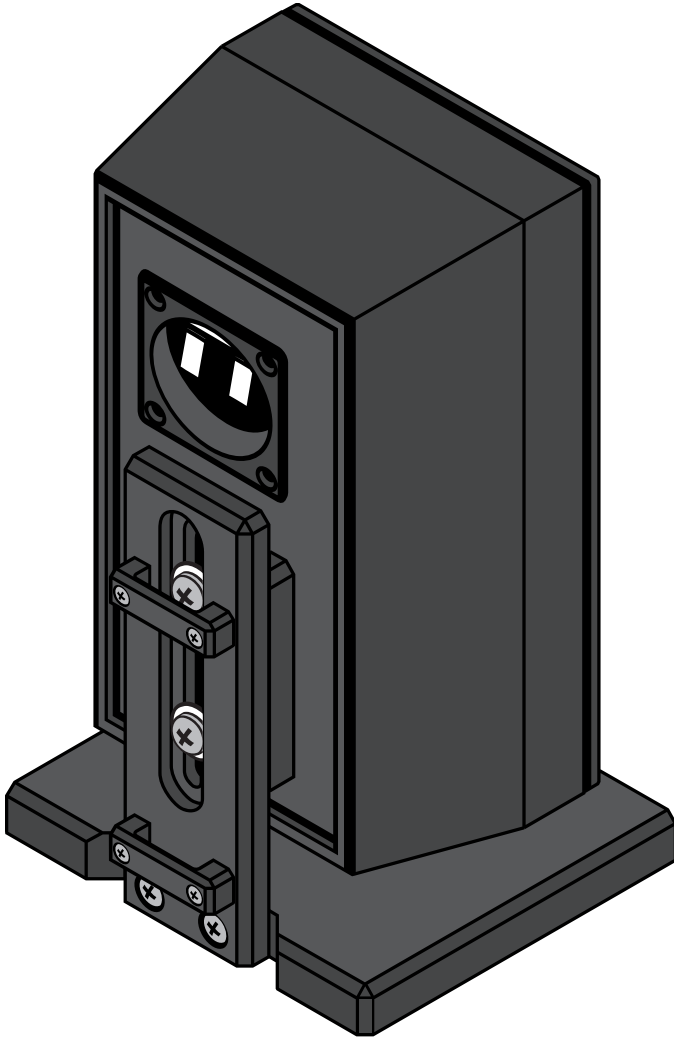
**[www.leonspeakers.com/support](http://www.leonspeakers.com/support)**



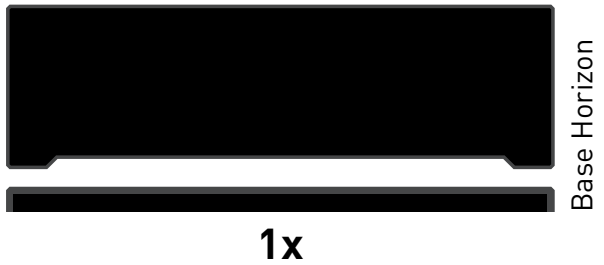
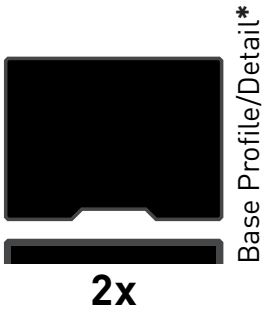
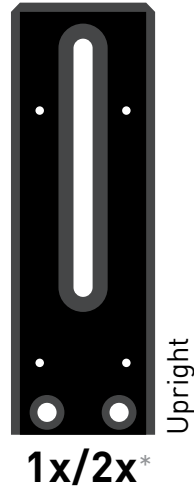
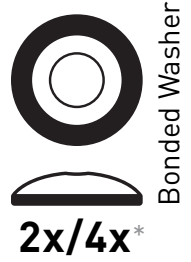
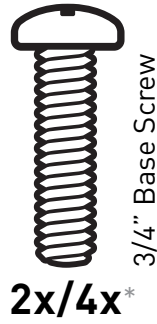
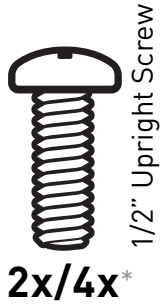
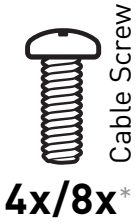
## TTS : Table Top Stand for Hz/Pr/Ds

Leon's Table Top Stands can be used to mount your Detail, Horizon or Profile speakers upright on any surface. This versatile bracket offers multiple points of adjustment for a perfect fit, every time.

---



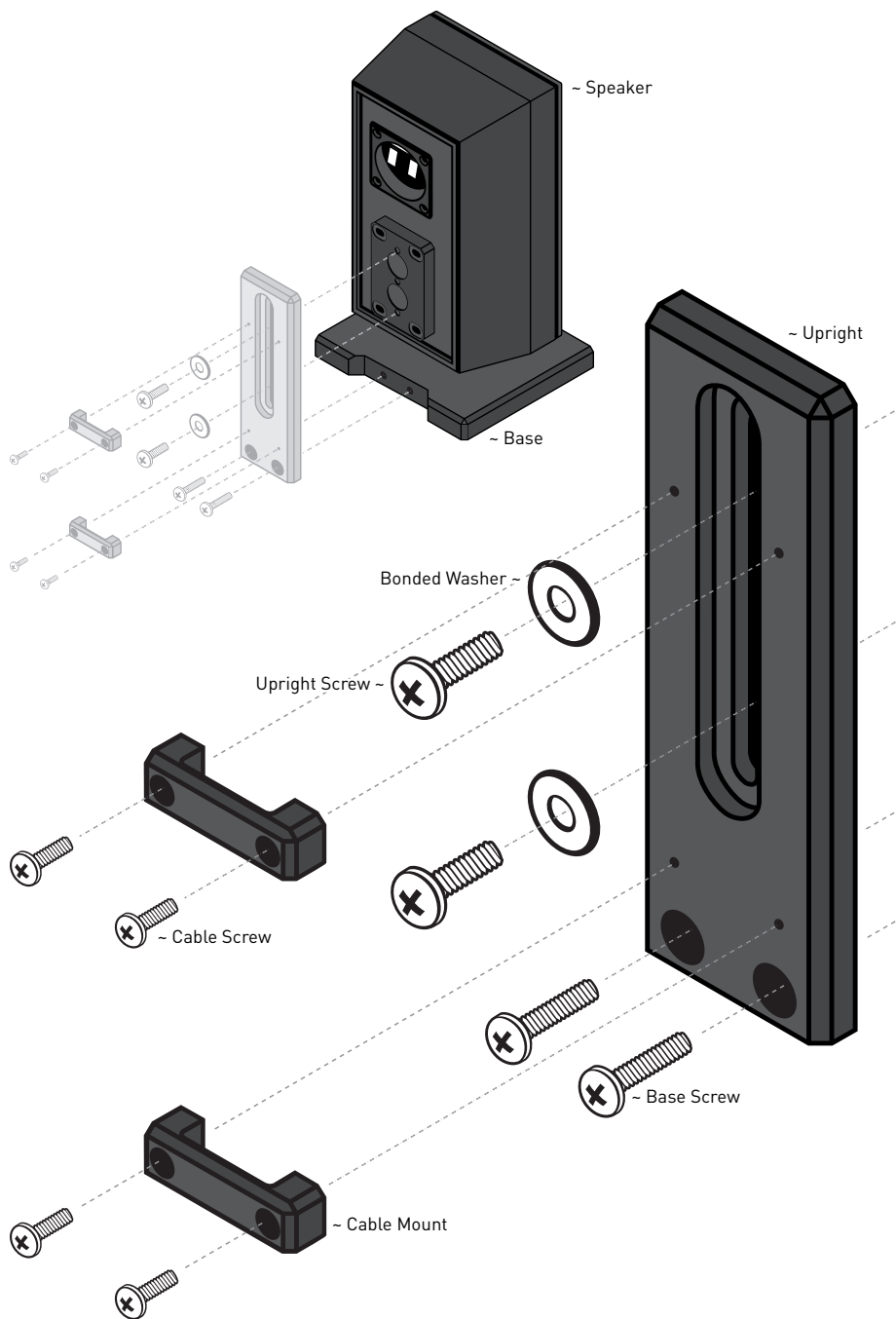
----- Completed Install -----



## Bracket Hardware

\*Not to scale

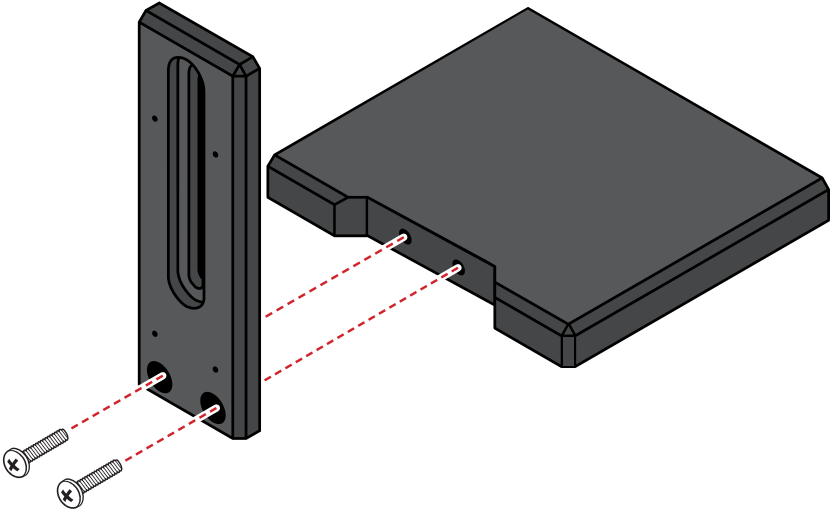
Table Top Stand : TTS-Hz/Pr/Ds



## Parts List

\*Not to scale

For assistance, call: 1.888.213.5015 | Mon-Fri 8am-6pm EST



## Attach **Upright** to **Base** with **Base Screws**

\***Profile/Detail** series includes 1x Uprights

\*\***Horizon** series includes 2x Uprights



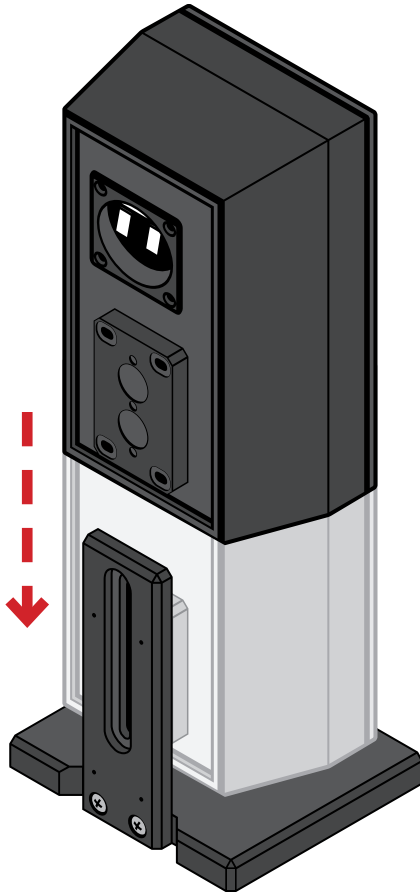
Base  
**1x/2x**



Upright  
**1x/2x**

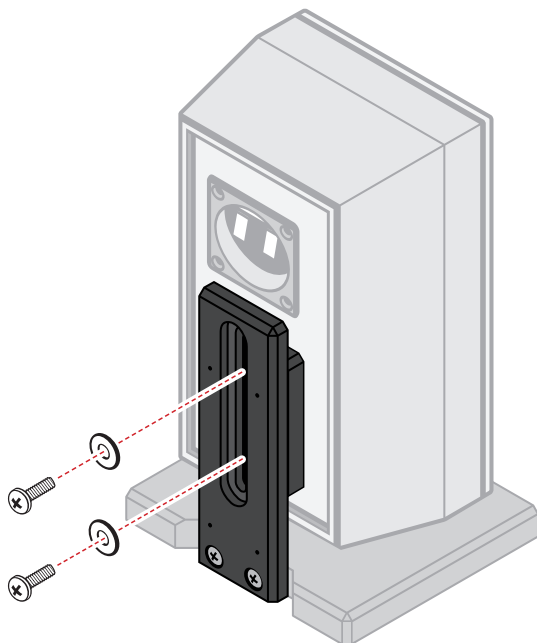


Base Screw  
**4x**



Place **Speaker** on **Base**  
and align **Upright** over **Adapter Plate**

\***Adapter Plate** is pre-installed on back of speaker



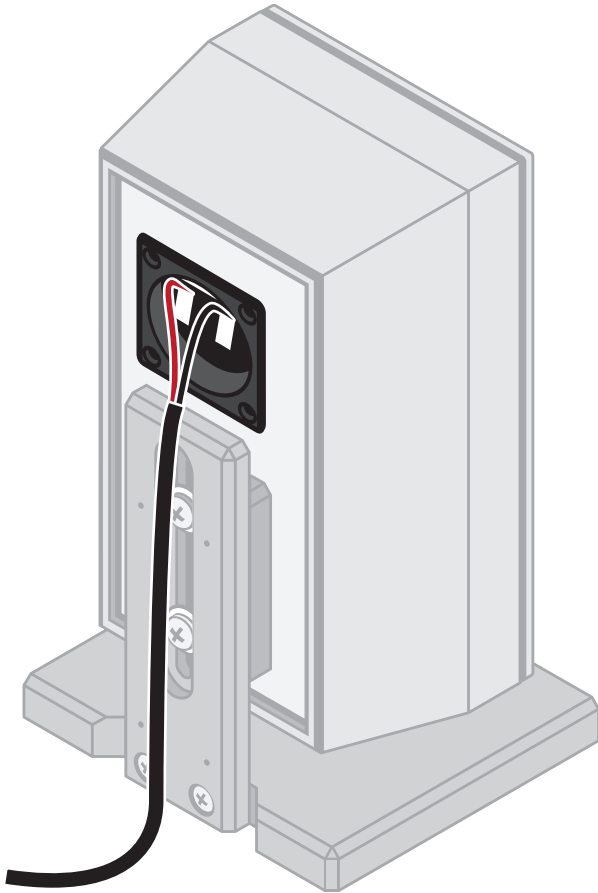
Secure **Uprights** to **Speaker**  
with **Upright Screws** and **Bonded Washers**



Upright Screw  
**2x**

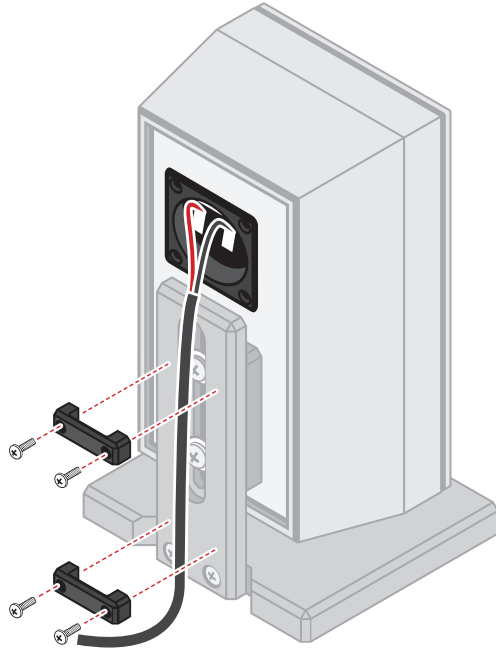


Bonded Washer  
**2x**



## Attach **Speaker Wire** to **Speaker Terminals**

\*Ensure correct **+Positive** / **-Negative** connections



Place **Cable Mounts** over **Speaker Wires**  
and secure with **Cable Screws**

\*Cable Mounts hold wires close to stand



Cable Mounts  
**2x/4x**



Cable Screw  
**4x/8x**

# Questions?

---

Call Customer Service

**1.888.213.5015**

Mon-Fri 8am-6pm EST

---

Visit us online for product support, guides and videos

**[www.leonspeakers.com/support](http://www.leonspeakers.com/support)**

