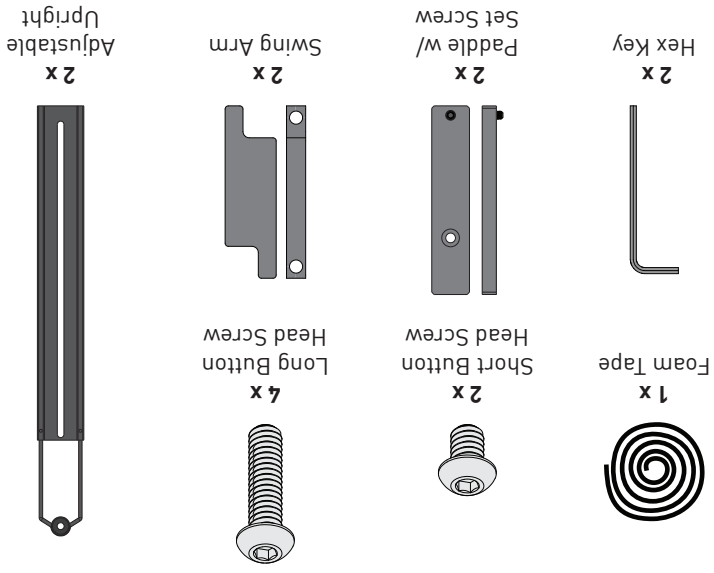
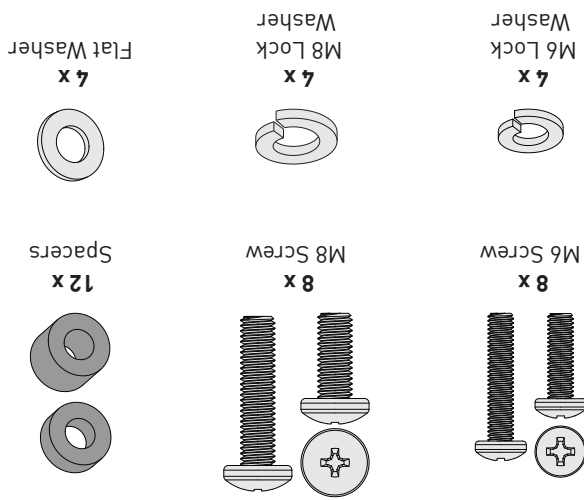


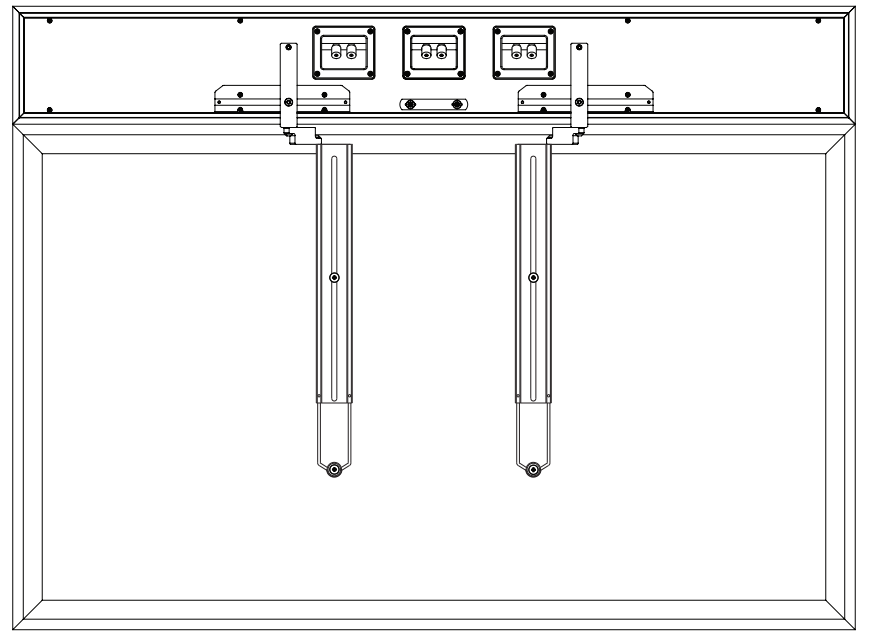
*Drawings not to scale
*All button head screws are 1/4-20 thread size



HzUMB Parts



Universal TV Mount Hardware



Completed Assembly

PICTURE PERFECT SOUND®



INSTALLATION GUIDE

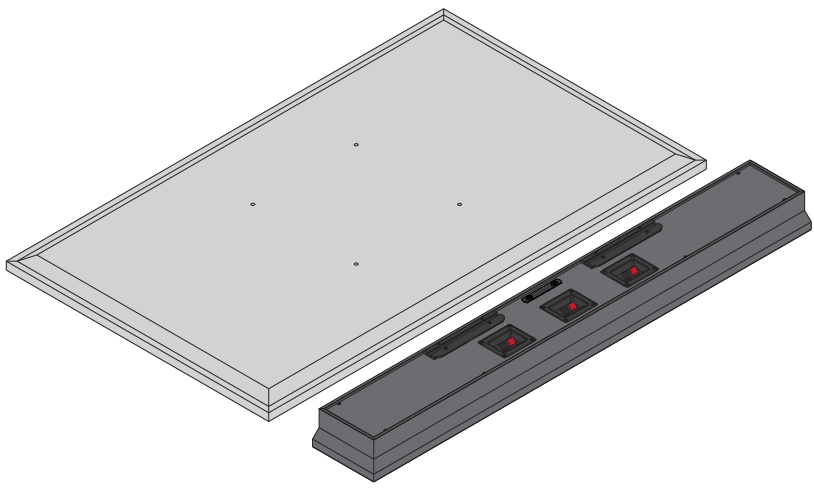
HzUMB

FOR Hz44, Hz44LX, Hz55LX, HzULTIMA UP TO 60"

QUESTIONS?

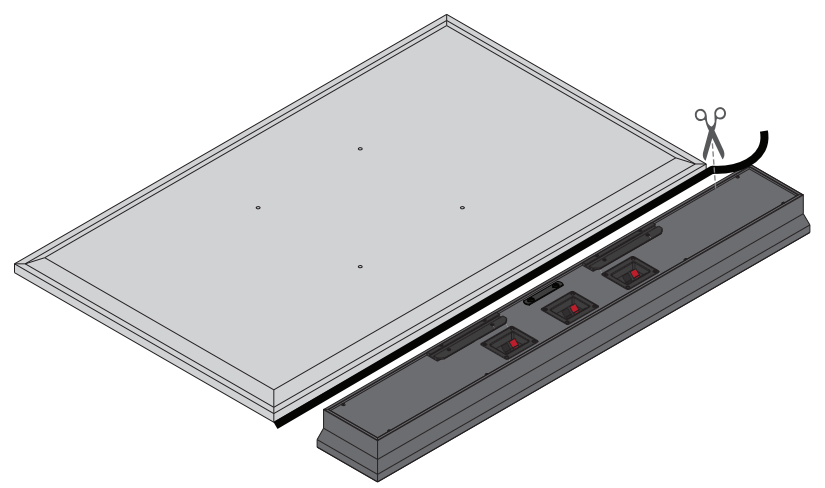
Call Customer Service
1.888.213.5015
Mon-Fri 8AM-6PM EST

Fig. 1



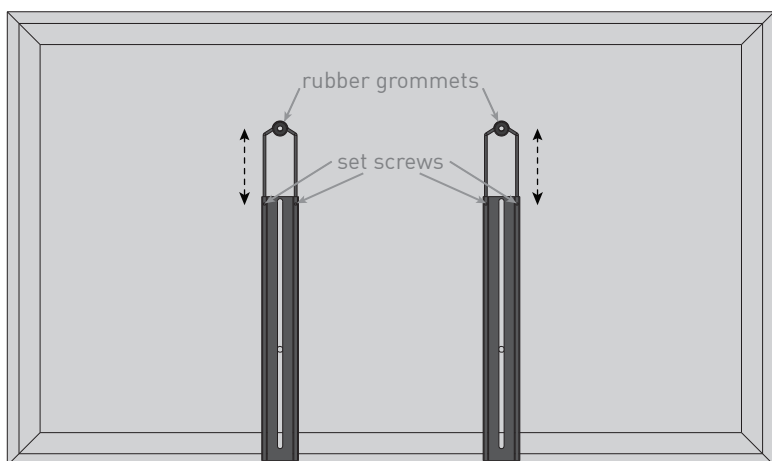
Place **TV** and **SPEAKER** facedown on a clean, padded surface.

Fig. 2



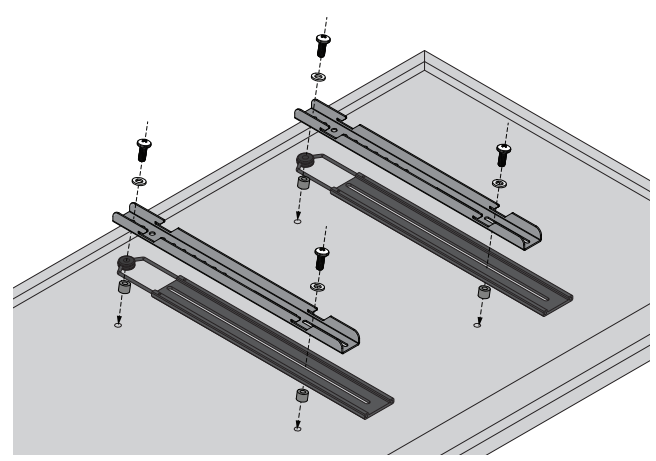
[Optional] For TVs with clear bezels or gaps between the speaker and TV, apply **FOAM TAPE** to TV's edge and cut to size.

Fig. 3



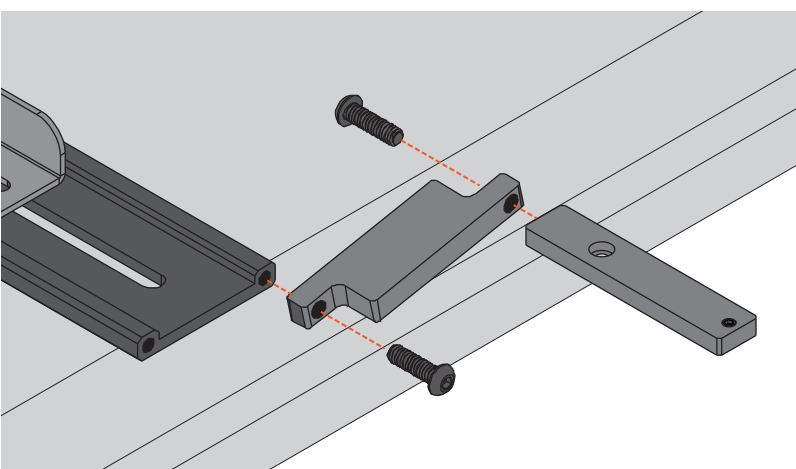
Loosen set screws on **ADJUSTABLE UPRIGHTS**. Slide **ADJUSTABLE UPRIGHTS** to align with TV mount holes. **RUBBER GROMMETS** can be removed to accommodate **TV MOUNT RAILS** if necessary.

Fig. 4



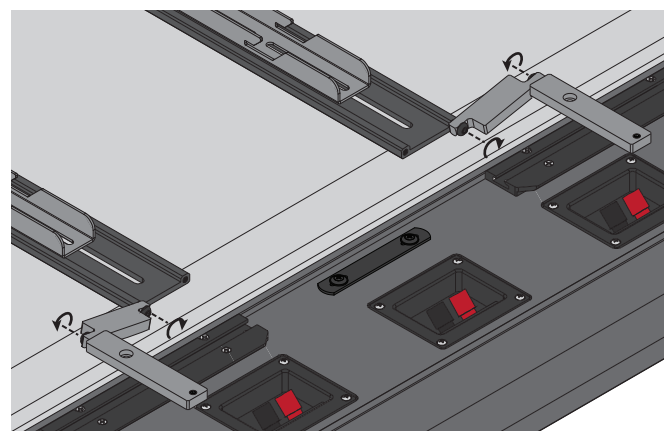
Affix **ADJUSTABLE UPRIGHTS** and **TV MOUNT RAILS** with **M6 OR M8 SCREWS** and **WASHERS**. Use **SPACERS** as needed to ensure the **ADJUSTABLE UPRIGHTS** and **TV MOUNT RAILS** are level.

Fig. 5



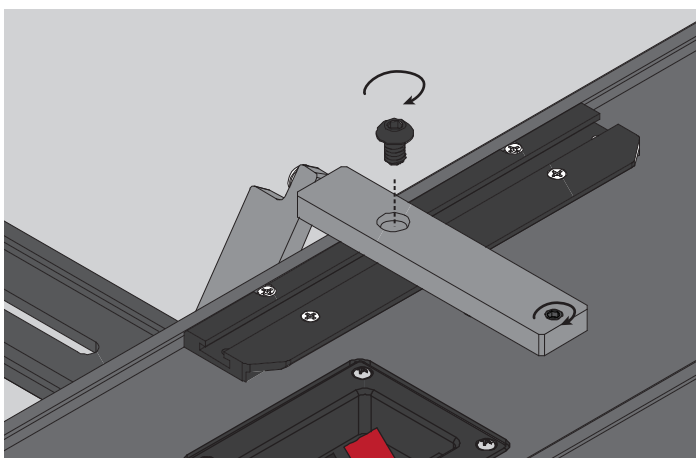
Loosely attach **SWING ARMS** to **PADDLES** and **UPRIGHTS** using **LONG BUTTON HEAD SCREWS**.

Fig. 6



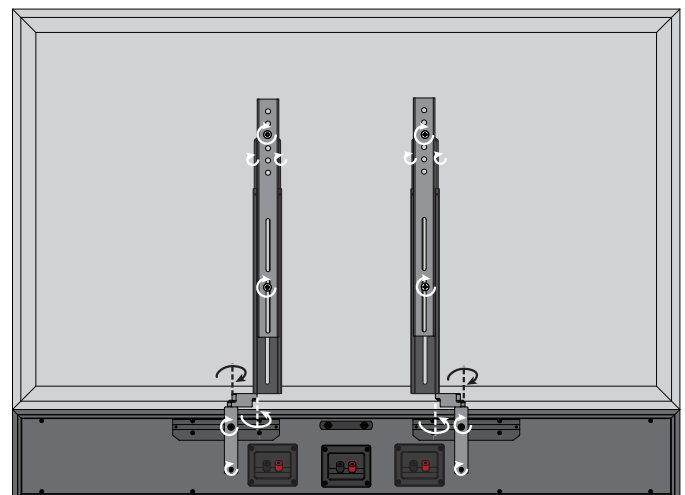
Position speaker so **PADDLES** rest on speaker mount rails. Align T-nuts in mount rails with holes on **PADDLES**. Tighten **LONG BUTTON HEAD SCREWS** with extra torque. (Mount rails and T-nuts come attached to speaker.)

Fig. 7



Slide speaker flush and centered with TV. Screw **PADDLES** to T-nut in speaker's mount rails using **SHORT BUTTON HEAD SCREWS**. Adjust speaker tilt using set screws in **PADDLES**.

Fig. 8



Tighten all screws and set screws down before mounting and wiring the TV and speaker. 2 people are needed for this task.