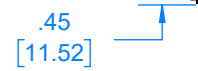
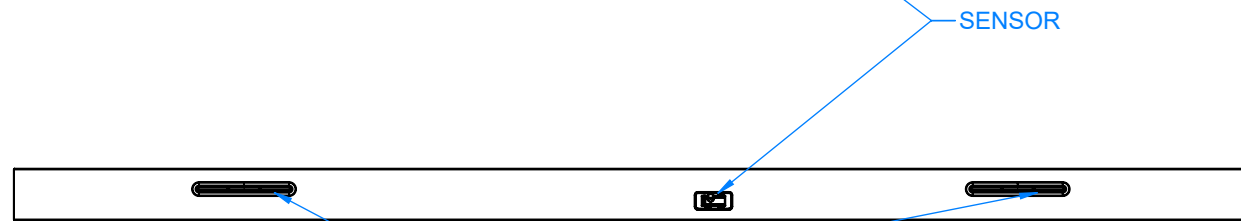


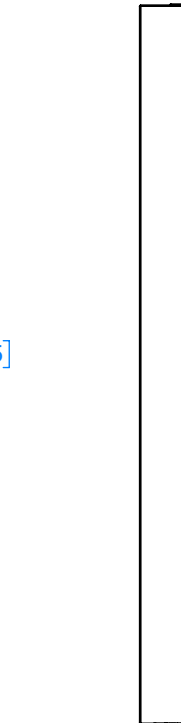
TOP VIEW



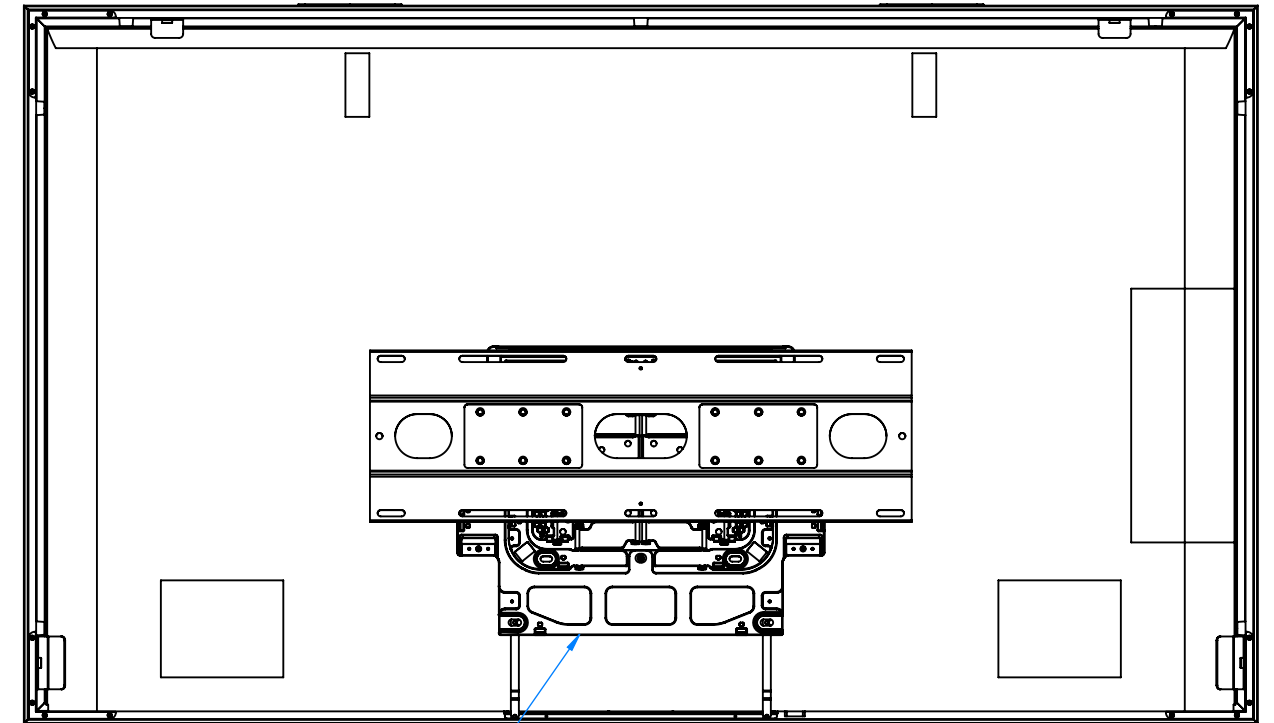
FRONT VIEW



BOTTOM VIEW



SIDE VIEW



DISPLAY MOUNTING BRACKET  
SU-WL905

BACK VIEW

FEATURES AND CONFIGURATION NOTES:

- 1 DIMENSIONS ARE IN INCHES [MILLIMETER]
- 2 BUILT TO MATCH DISPLAY SONY K-85XR90
- 3 REFERENCE THE LEON STUDIO FRAME INSTALLATION MANUAL FOR ASSEMBLY INSTRUCTIONS

ALL INFORMATION © LEON HAND-CRAFTED SPEAKERS, INC  
THE INFORMATION CONTAINED IN THIS DRAWING IS THE SOLE PROPERTY OF  
LEON HAND-CRAFTED SPEAKERS. ANY REPRODUCTION IN PART OR AS A WHOLE  
WITHOUT THE WRITTEN PERMISSION OF LEON SPEAKERS IS PROHIBITED



1 (888) 213-5015 | WWW.LEONSPEAKERS.COM

DESCRIPTION

TECH DWG, StudioFrame-M85XR90

SIZE	DWG. NO.	DATE	REV
<b>B</b>	1010378.3	4/22/2025	A-02
SCALE: 1:12		DO NOT SCALE	
			SHEET 1 OF 1