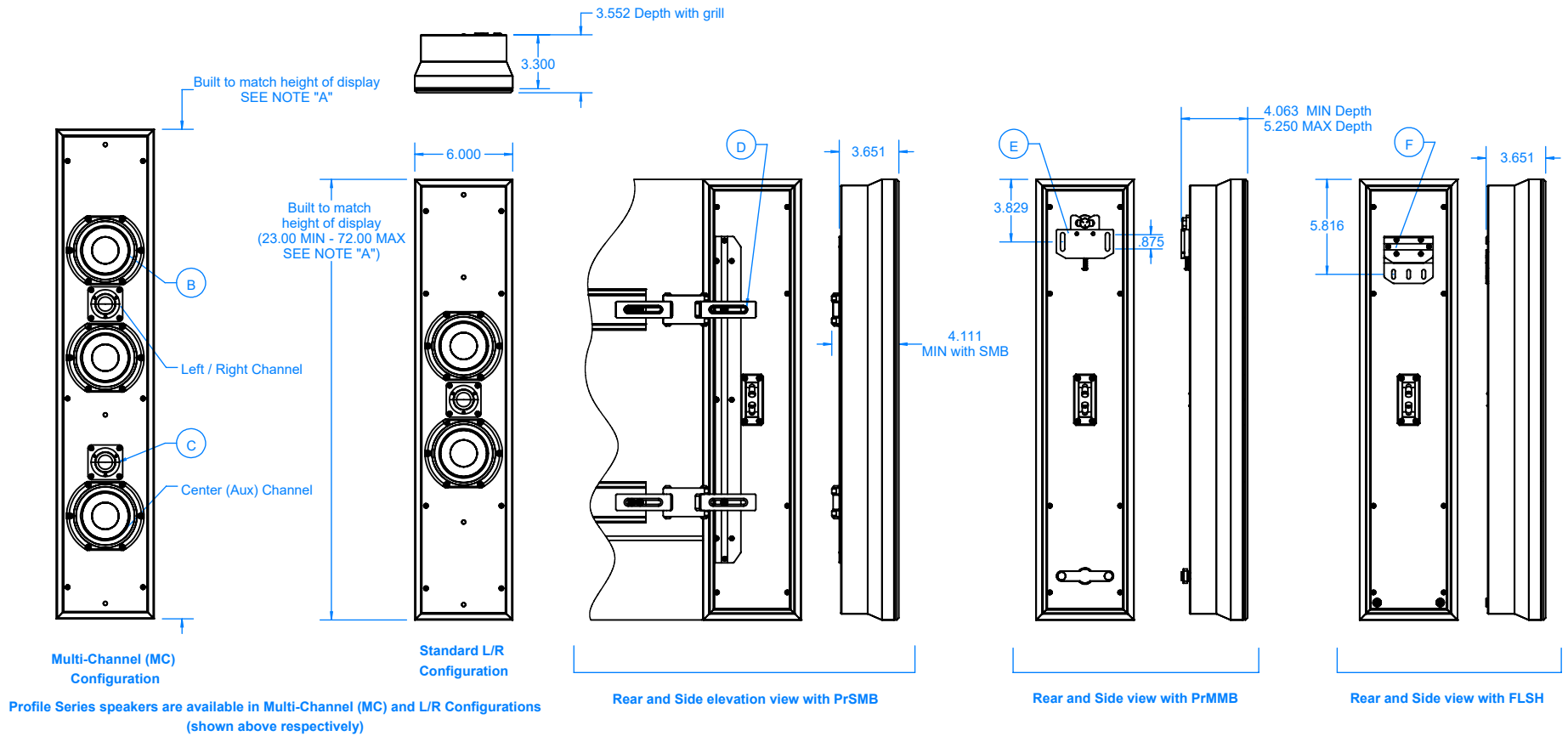


Pr44 & Pr400 L/R and MULTI-CHANNEL SPEAKERS

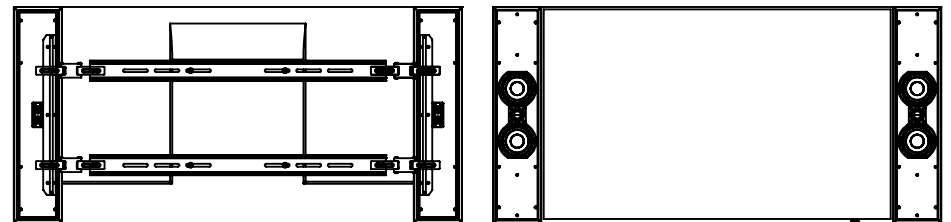
Profile Series



FEATURE AND CONFIGURATION NOTES:

- A. Pr44 and Pr400 minimum configuration heights: Single Channel: 23.00" , Multi-Channel: 24.00"
- B. Profile Multi-Channel speakers taller than 28.00 inches include 2 woofers for L/R channels
- C. Auxiliary channels can be wired together in parallel to create center channel
- D. Side Mount Bracket (PrSMB) attaches speaker directly to TV for articulating TV mounts
- E. Match Mount Bracket (PrMMB) attaches speaker to the wall with multiple points of adjustment
- F. Flush Mount Bracket (FLSH) attaches speaker 1/4" off of the wall

Front and Rear elevation view with Side Mount Bracket (SMB) mounted to display



715 W. Ellsworth Rd. Ann Arbor, MI 48108
 1-888-213-5015 | www.leonspeakers.com

This information is the confidential, proprietary property of Leon Speakers, Inc. Unauthorized use is prohibited. Features, specifications and appearance are subject to change without notice

A

Description	Date	Scale
Pr44 & Pr400	2-8-18	1:10